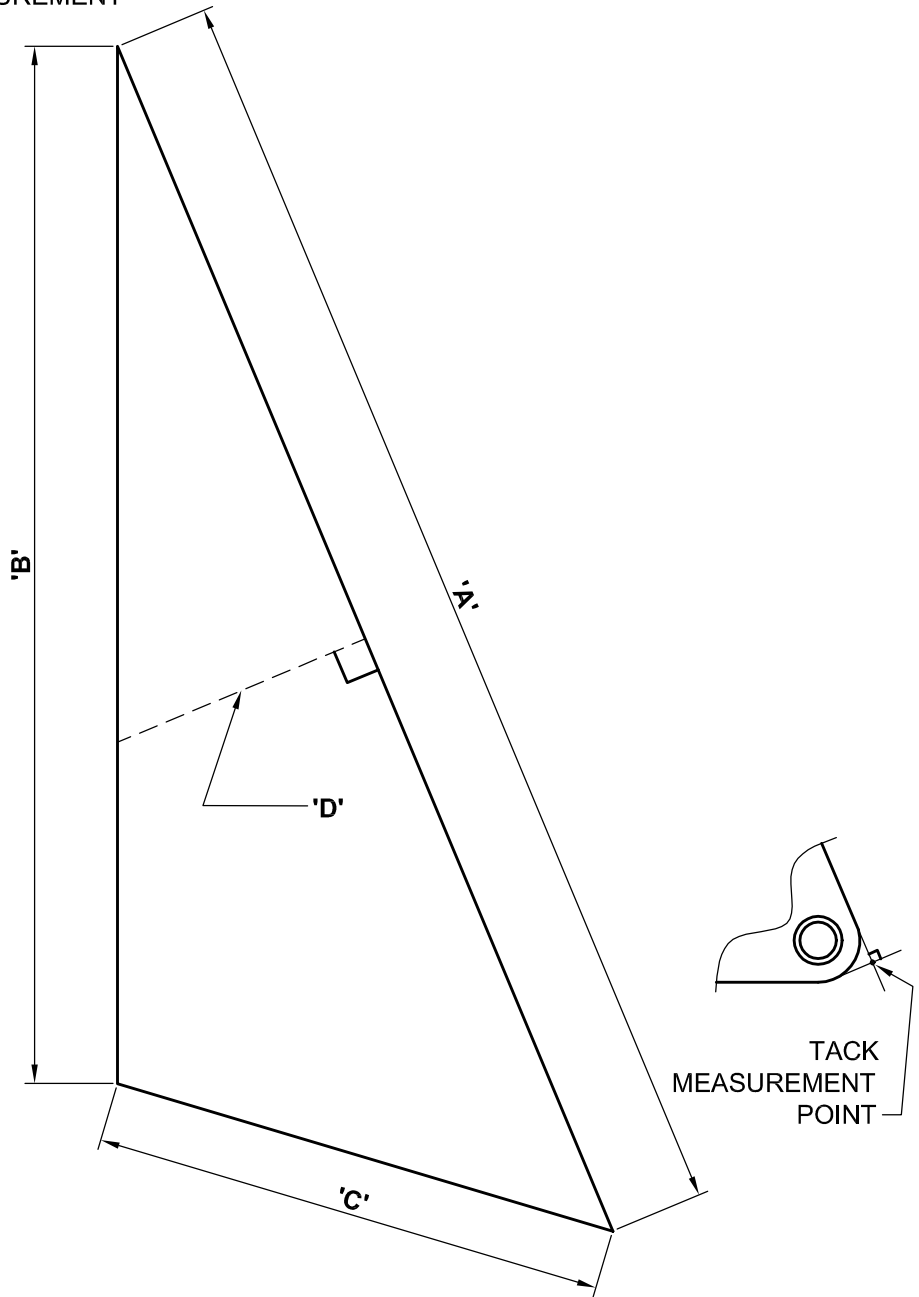
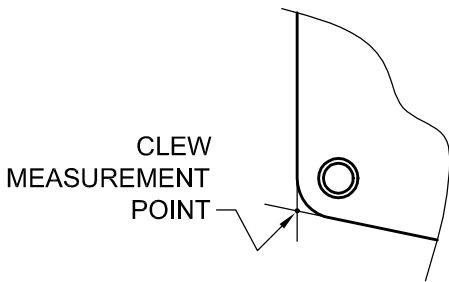
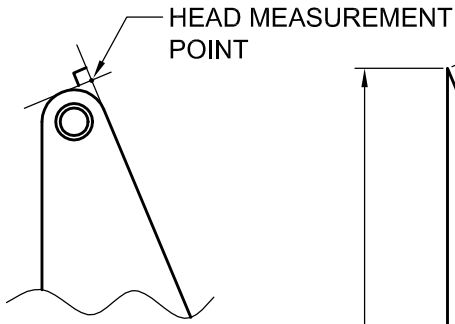


STORM JIB SAIL



SAIL TO BE TENSIONED JUST ENOUGH TO REMOVE WRINKLES ACROSS LINE OF MEASUREMENT

**MIN. CLOTH WT.
5.0 oz US
DACRON**



MEASUREMENT	DIMENSION	SPECIAL NOTES
A	3880 (MAX)	LUFF
B	3020 (MAX)	LEECH
C	1700 (MAX)	FOOT
D	840 (MAX)	AT 1/2 LUFF HEIGHT

FARR TRAILER YACHT ASSOCIATION

DATE
NOVEMBER 1992

TITLE
SAIL PLANS - 5000

SCALE
DO NOT SCALE

DRAWING NO.
SHEET 4 OF 5

