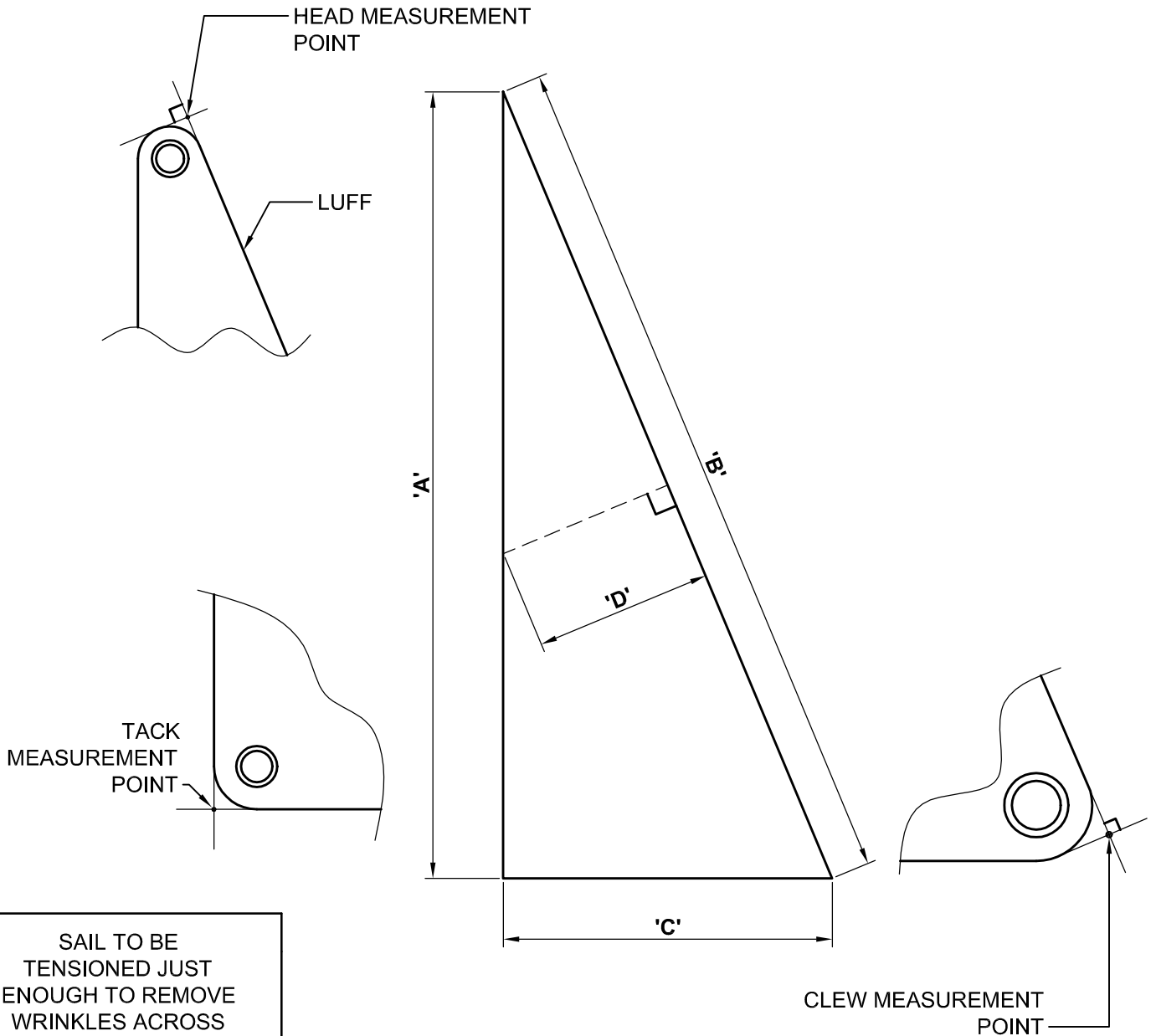


# JIB SAIL



SAIL TO BE  
TENSIONED JUST  
ENOUGH TO REMOVE  
WRINKLES ACROSS  
LINE OF  
MEASUREMENT

**MIN. CLOTH  
WT.  
5.0 oz US  
DACRON**



MEASUREMENT	DIMENSION	SPECIAL NOTES
A	4520 (MAX)	LEECH
B	5100 (MAX)	LUFF
C	1880 (MAX)	
D	930 (MAX)	FOLD LENGTH AT 1/2 LUFF HEIGHT

## FARR TRAILER YACHT ASSOCIATION

DATE  
NOVEMBER 1992

TITLE  
**SAIL PLANS - 5000**

SCALE  
**DO NOT SCALE**

DRAWING NO.  
**SHEET 2 OF 5**

