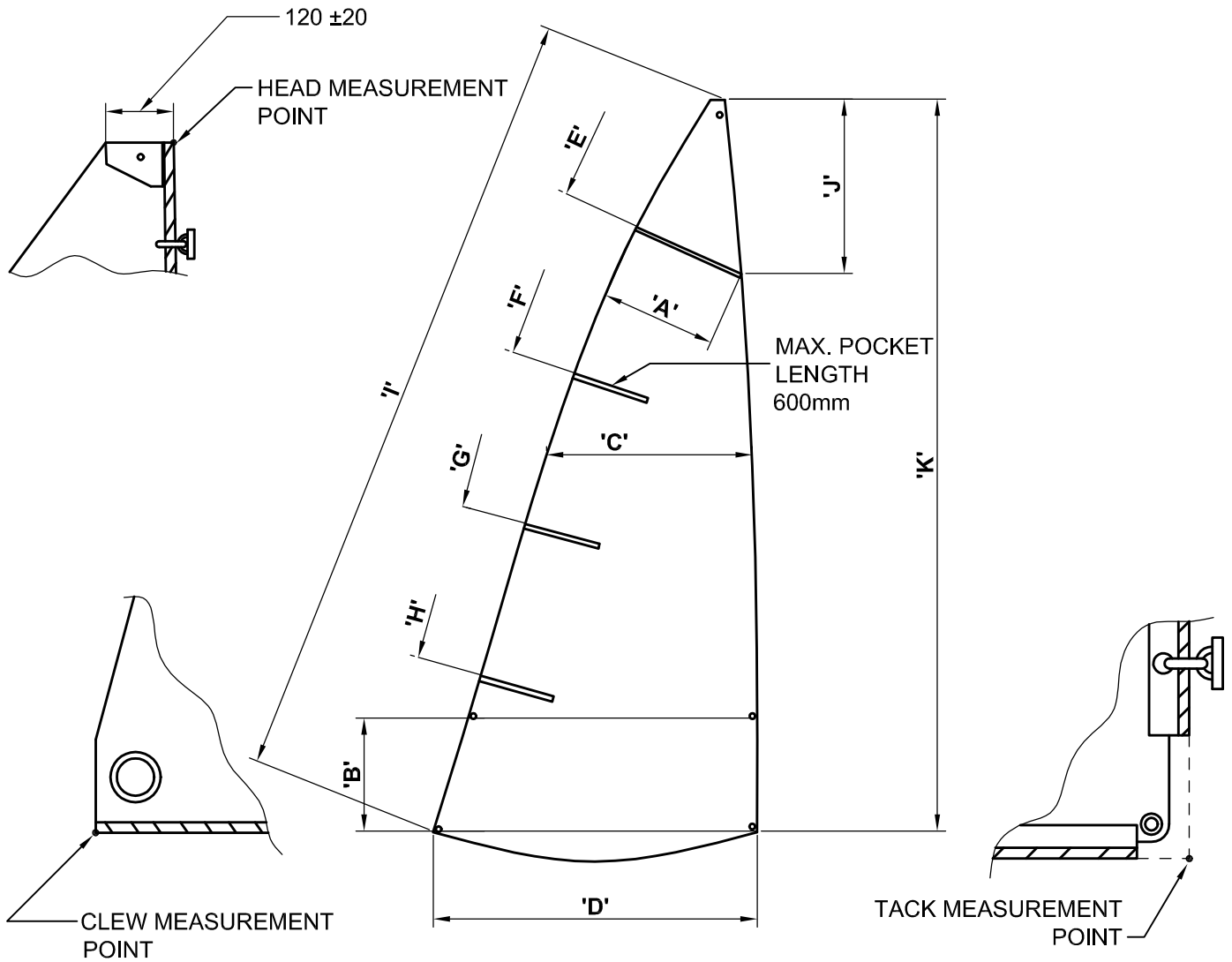


# MAIN SAIL



SAIL TO BE TENSIONED JUST ENOUGH TO REMOVE WRINKLES ACROSS LINE OF MEASUREMENT

**MIN. CLOTH WT.  
5.0 oz US  
DACRON**



MEASUREMENT	DIMENSION	SPECIAL NOTES
A	860 <sup>+0</sup> <sub>-40</sub>	LUFF TO LEECH - TOP OF POCKET
B	800 <sup>+0</sup> <sub>-100</sub>	
C	1770	AT ½ HEIGHT
D	2580 <sup>+0</sup> <sub>-100</sub>	
E	1150 <sup>+100</sup> <sub>-0</sub>	TOP OF POCKET
F	2470 ±50	TOP OF POCKET
G	3790 ±50	TOP OF POCKET
H	5120 ±50	TOP OF POCKET
I	6540 <sup>+0</sup> <sub>-150</sub>	
J	1250 <sup>+100</sup> <sub>-0</sub>	
K	6050 <sup>+0</sup> <sub>-150</sub>	

## FARR TRAILER YACHT ASSOCIATION

DATE  
NOVEMBER 1992

TITLE  
**SAIL PLANS - 5000**

SCALE  
**DO NOT SCALE**

DRAWING NO.  
**SHEET 1 OF 5**

